

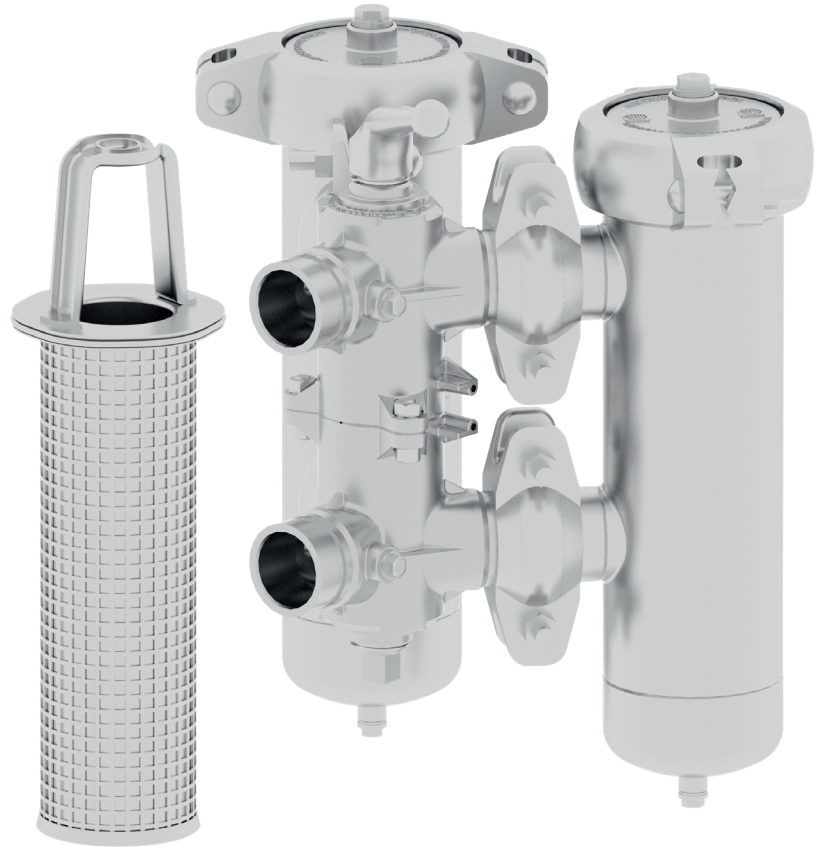
BOLLFILTER Duplex TYPE 2.59.5 DN50

Application

Filtration of all types of water. It is used in both suction and pressure lines and serves to protect downstream system components from dirt or blockages.

Operation

The duplex filter type 2.59.5 can be switched without pressure surges during operation. Apart from checking the seals and cleaning the filter, the filter is completely maintenance-free. The switch-over plug is to be positioned so that one filter chamber is in operation while the second is cleaned and refilled in reserve. The pressure loss indicates the degree of contamination of the filter. The system does not have to be switched off if it is dirty. Simply press the switchover button to start up the filter chamber in reserve. The chamber that was previously in operation is switched off at the same time.

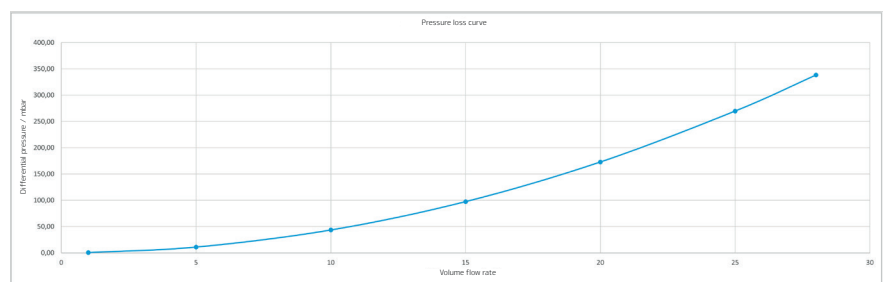


Cleaning

- Switch the plug valve to the clean filter chamber
- Release the pressure of the dirty filter chamber via the bleed screw
- Remove the housing cover of the dirty filter chamber
- Remove the filter element
- Rinse the filter element clean in cleaning fluid, e.g. BOLL-CLEAN2000

Technical Characteristics

- Filter housing made of stainless steel 1.4404
- Switching plug made of cast stainless steel 1.4408
- Filter element basket strainer
- Filter fineness: 50 µm – 2 mm
- Operating pressure up to 16 bar / pressure rating PN16
- Medium water



- Max. Flow rate 25 m³/h
 - Max. application temperature 100 °C
 - CoverVictaulic® quick-release fastener
- ### Connections
- Flange adapter Victaulic® 2"/60.3 Type 741
 - Weld-on adapter Victaulic® DN50
 - Victaulic® Adapter male thread DN50
 - Victaulic® adapter female thread DN50

Accessories

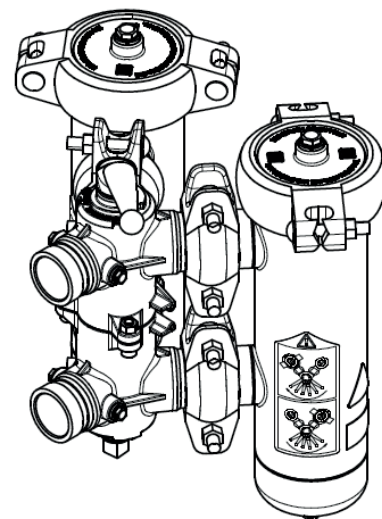
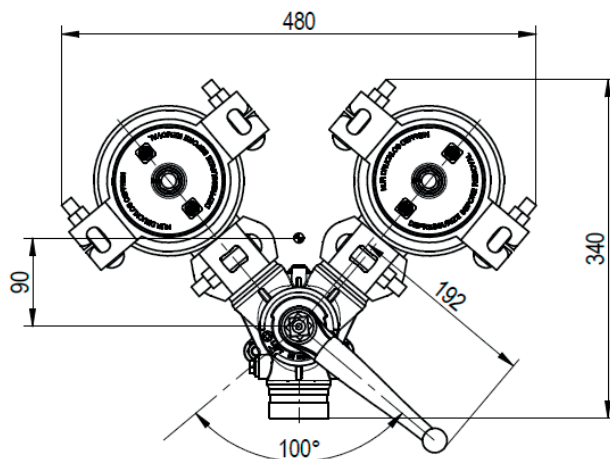
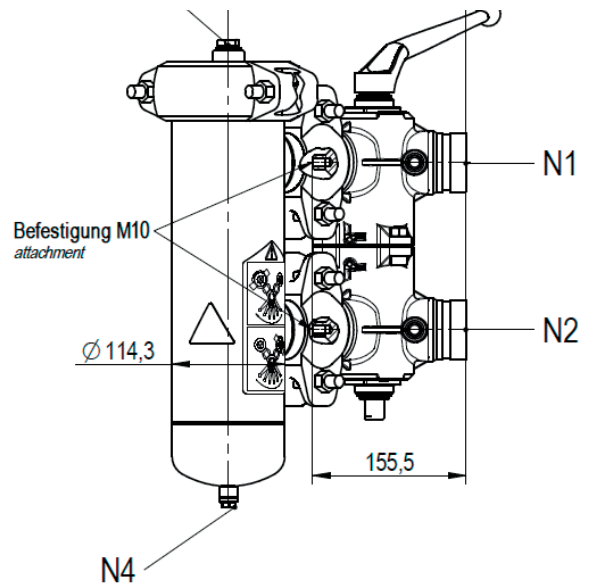
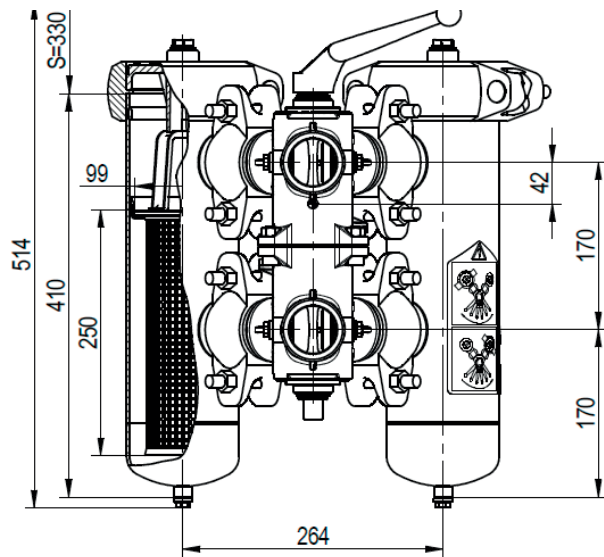
- Differential pressure indicator type 4.46.2
- Magnetic rod
- Support bracket

Advantages

- High corrosion resistance thanks to stainless steel housing
- Flexible adaptation thanks to modular design
- Fast delivery thanks to efficient production line

The Details

Z1017825_00 – Type 2.59.5



N1 Filtereintritt Victaulic Ø60,3
*filter inlet
entrée de filter*

N2 Filteraustritt Victaulic Ø60,3
*filter outlet
sortie du filter*

N3 Entlüftung G1/4
*drain
vidange*

N4 Entleerung G1/2
*air escape
désaération*

S Elementausbau
*dismounting of the filterelement
démontage du panier*

mit Korbsiebeinsatz
*with basket element
avec paniers à corbeille*

Gehäuse geschweißt 1.4404
*housing welded 1.4404
corps soudé 1.4404*

 **Schwerpunkt**
*center of gravity
centre de gravité*

Allgemeintoleranzen DIN ISO 2768-mK
*general tolerance DIN ISO 2768-mK
tolérances générales DIN ISO 2768-mK*

Berechnungsüberdruck 16 bar bei 100°C
*design pressure
pression de service*

Volumen 2 x 4 ltr
*volume
volume*

Leergewicht 30 kg
*empty weight
poids net*

subject to alterations

Änderungen vorbehalten!